

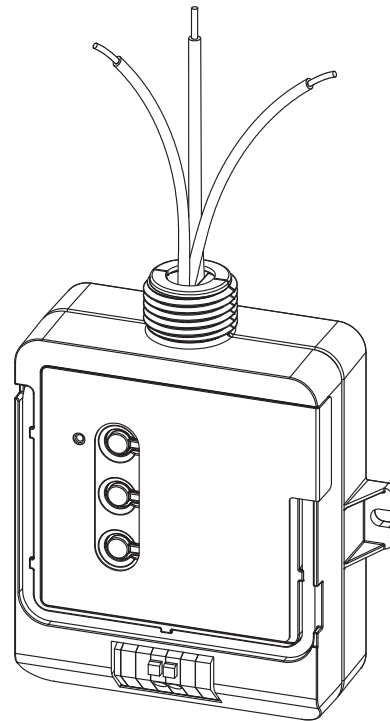
PowPak® Dimming Module with 0–10 V Control

The PowPak® Dimming Module with 0–10 V Control is a radio frequency (RF) control that operates 0–10 V controlled fluorescent ballasts or LED drivers based on input from Pico® wireless controls and Radio Powr Savr™ sensors. The Dimming Module with 0–10 V Control is ideal for small areas (e.g., classrooms, conference rooms, private offices).

Communication with RF input devices (e.g., Pico® wireless controls, Radio Powr Savr™ sensors) is accomplished by using Lutron® Clear Connect® RF Technology.

Features

- Controls up to 60 mA of 0–10 V controlled fixtures together
- Switches up to 5 A total
- 0–10 V control link automatically sources or sinks to the third party fixtures
- Configurable high- and low-end trim
- Various operating voltages available; refer to model number chart below for details on voltage requirements
- Receives input from up to nine Pico® wireless controls, six Radio Powr Savr™ occupancy/vacancy sensors, and one Radio Powr Savr™ daylight sensor
- Utilizes Lutron® Clear Connect® RF Technology; refer to model number chart below for frequency band data



- Mounts to a US-style junction box through a standard-size knockout
- Complies with requirements for use in a compartment handling environmental air (plenum) per NEC® 2011 300.22(C)(3) (RMJ- and URMJ-)

Models Available

| Model Number | Region | Operating Voltage | Frequency Band |
|--------------|------------------------|-------------------|---------------------|
| RMJ-5T-DV-B | U.S.A., Canada, Mexico | 120–277 V~ | 431.0–437.0 MHz |
| URMJ-5T-DV-B | U.S.A. (BAA Compliant) | 120–277 V~ | 431.0–437.0 MHz |
| RMQ-5T-DV-B | Hong Kong | 220–240 V~ | 433.05–434.79 MHz |
| RMM-5T-DV-B | China, Singapore | 220–240 V~ | 868.125–868.475 MHz |
| RMK-5T-DV-B | Europe, U.A.E. | 220–240 V~ | 868.125–868.850 MHz |
| RMN-5T-DV-B | India | 220–240 V~ | 865.5–866.5 MHz |
| RMP-5T-JA-B | Japan | 100–200 V~ | 313.3–314.8 MHz |

NOTE: Contact Lutron for frequency band compatibility for your geographic region if it is not indicated above.

| | |
|-------------|----------------|
| Job Name: | Model Numbers: |
| Job Number: | |

Specifications

Regulatory Approvals

RMJ- and URMJ- models only

- UL Listed
- UL 2043 Plenum-Rated
- FCC approved. Complies with the limits for a Class B device, pursuant to Part 15 of the FCC rules
- CSA and IC (Canada)
- COFETEL (Mexico)
- NOM (Mexico)

RMN- model

- WPC Type Approved (India)

RMK- model

- CE (European Union)
- TRA Type Approved (United Arab Emirates)

RMP- model

- PSE certified (Japan)

Power

- Operating voltage
 - *RMJ-, URMJ- models:* 120–277 V~ 50/60 Hz
 - *RMQ- model:* 220–240 V~ 50/60 Hz
 - *RMM- model:* 220–240 V~ 50/60 Hz
 - *RMK- model:* 220–240 V~ 50/60 Hz
 - *RMN- model:* 220–240 V~ 50/60 Hz
 - *RMP- model:* 100–200 V~ 50/60 Hz

Output Ratings

- Switch rating of 5 AX. Rated for resistive or capacitive loads as defined by IEC/EN 60669-2-1
- 0–10 V control link for 60 mA maximum output, source or sink automatically configures

Other Power Specifications

- Standby power:
 - 240–277 V~ 610 mW
 - 120 V~ 550 mW
- BTU/hour when fully loaded: 9

System Communication

- Operates using Clear Connect® RF Technology for reliable wireless communication; refer to model number chart on page 1 for frequency band details
- RF range is 30 ft (9 m)

Environment

- Ambient operating temperature: 32 °F to 104 °F (0 °C to 40 °C)
- 0% to 90% humidity, non-condensing
- For indoor use only

0–10 V Control Link

- Communicates with up to 60 mA of fixtures
- Control link is IEC SELV/NEC® Class 2
- 0–10 V control can be installed using NEC® Class 1 or Class 2 wiring methods. Alternately, it can be wired to basic or double-insulated devices
- Terminals accept one 18 to 16 AWG (0.75 to 1.5 mm²) solid wire
- Always consult local wiring codes

Default Operation

- Associated wireless input devices control all connected fixtures together
- Occupancy Sensors:
 - Occupied: 100%; Unoccupied: 0% (OFF)
- Pico® Wireless Controls:
 - On: 100%; Favorite Level: 50%; Off: 0% (OFF)
- Daylight Sensor: Decreases electric light in response to additional available daylight

| | |
|----------------------------------|----------------|
| Job Name: Job Number: | Model Numbers: |
|----------------------------------|----------------|

Specifications (continued)

Key Design Features

- LED status indicator shows load status and provides programming feedback
- Configurable high-end and low-end trim
- Power failure memory: If power is interrupted, connected loads will return to the previous level prior to interruption
- 0–10 V control miswire protection up to 30 V $\overline{=}$
- Programming lockout can be enabled for public spaces
- 0–10 V control can be programmed to be inverted for 10–0 V control
- Daylight override: Pressing the raise button on an associated Pico® wireless control will temporarily override daylighting for all fixtures wired to the PowPak® Dimming Module with 0–10 V control
 - Daylighting will be re-enabled for all the fixtures wired to the PowPak® Dimming Module with 0–10 V control when one of the following occurs:
 - Two hours have passed since the override.*
 - ON, OFF or Preset button has been pressed on a Pico® wireless device controlling the fixtures wired to the PowPak® Dimming Module with 0–10 V control.
 - All associated Occupancy Sensors have reported unoccupied.

* Each time a daylighting override occurs for any control associated to the PowPak® Dimming Module with 0–10 V control, the two-hour timer is reset.

Advanced Configurations

Pico® Wireless Controls

- Up to nine Pico® wireless controls
- Favorite levels can be set for each Pico® wireless control

Radio Powr Savr™ Daylight Sensor

- The Radio Powr Savr™ daylight sensor will affect all connected ballast and LED drivers equally

Minimum Light Level Setting (optional)

- Certain applications, such as hallways, may require that the lights never turn off. For these areas, select the minimum light level option and the load will lower to programmed low-end level. Default operation lowers to OFF.

High- and Low-End Trim

- High-end and low-end trim affect all connected fixtures equally, and can be configured from the PowPak® Dimming Module or from any associated Pico® wireless control when unit is not in programming lock-out mode
- Adjustable low-end trim (0–45%). Trimmable low-end can ensure a stable light level. Some fixtures will flicker or drop out if trimmed too low.
- The maximum light output of connected fixtures can be decreased down to 55% for energy savings in over-lit spaces

Note: The perceived light output of low-end trim may vary between fixture manufacturers and model numbers. For best results, do not mix different ballasts or drivers on the same 0–10 V circuit.

Radio Powr Savr™ Occupancy Sensors

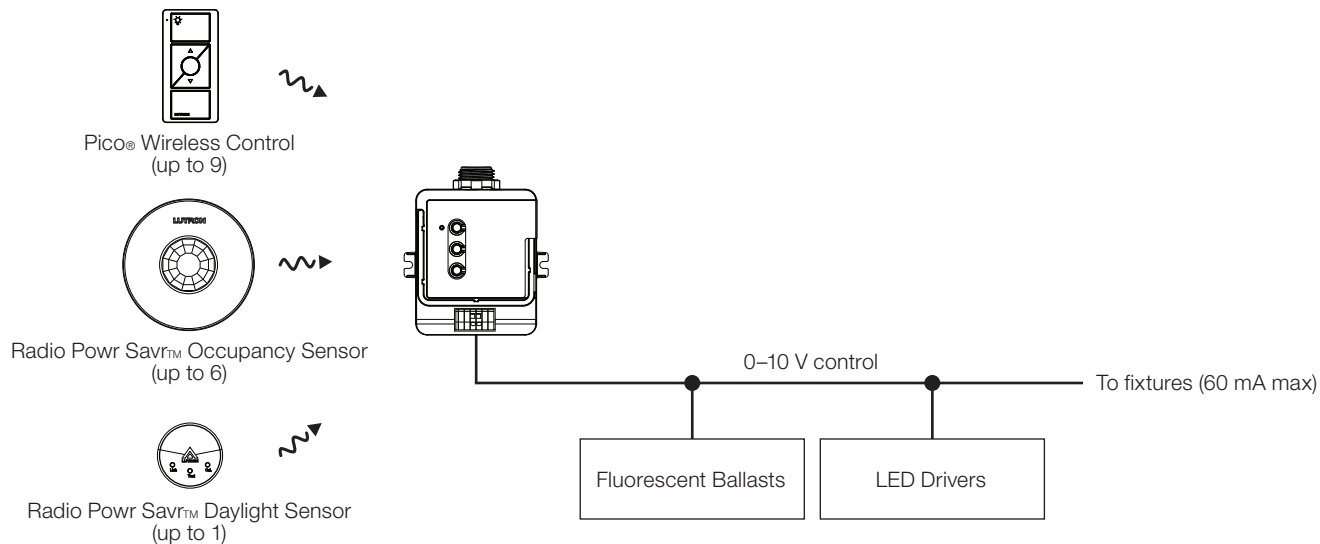
- Radio Powr Savr™ occupancy and vacancy sensors control all connected ballasts or drivers
- Pico® wireless controls can be used to adjust the Occupied levels of fixtures that they control from 1% to 100% or can make them unaffected by Occupancy events
- Vacancy events (area becomes unoccupied) turn all ballasts and driver models off or to minimum light level

Programming Lockout

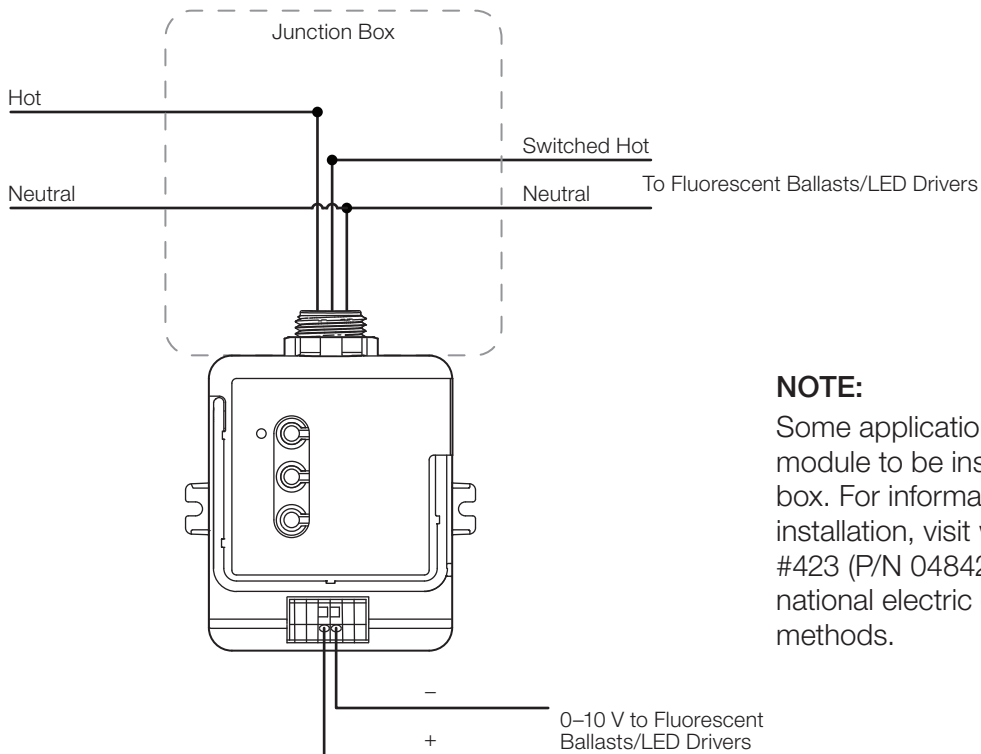
- Once enabled, all Pico® wireless controls can no longer perform programming or set favorite levels
- To change settings, programming lockout must be unlocked by a button combination directly on the PowPak® Dimming Module.

| | |
|--|------------------------------|
| <p>Job Name:</p> <p>Job Number:</p> | <p>Model Numbers:</p> |
|--|------------------------------|

System Diagram (RMJ-, URMJ-, RMQ-, and RMM- models)



Wiring Schematic (RMJ-, URMJ-, RMQ-, and RMM- models)

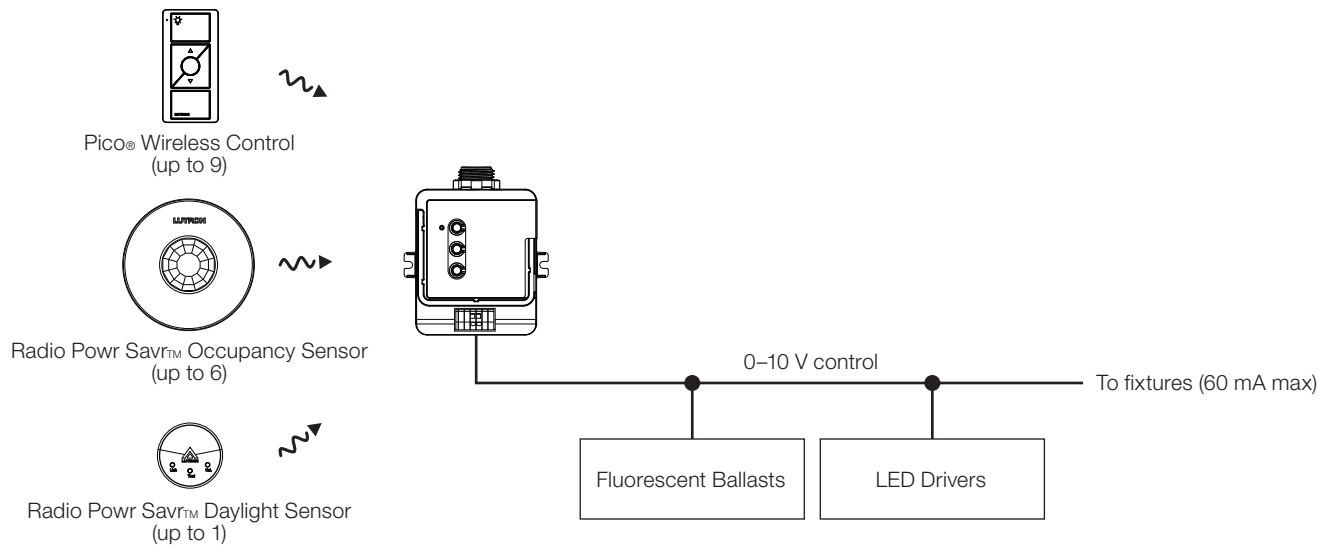


NOTE:

Some applications (in the USA) require the PowPak® module to be installed inside an additional junction box. For information about how to perform this installation, visit www.lutron.com, Application Note #423 (P/N 048423). Please consult all local and national electric codes for proper installation methods.

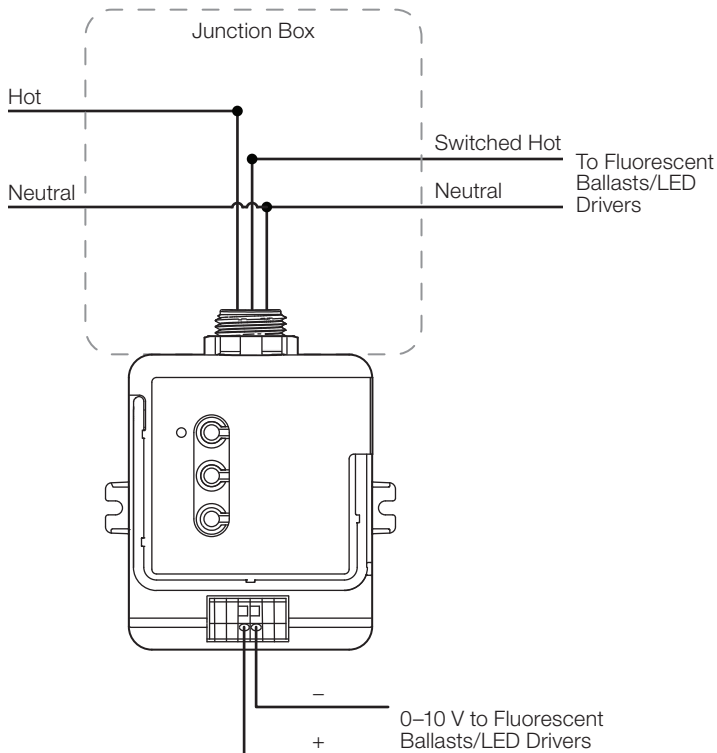
| | |
|-------------|----------------|
| Job Name: | Model Numbers: |
| Job Number: | |

System Diagram (RMP- models)

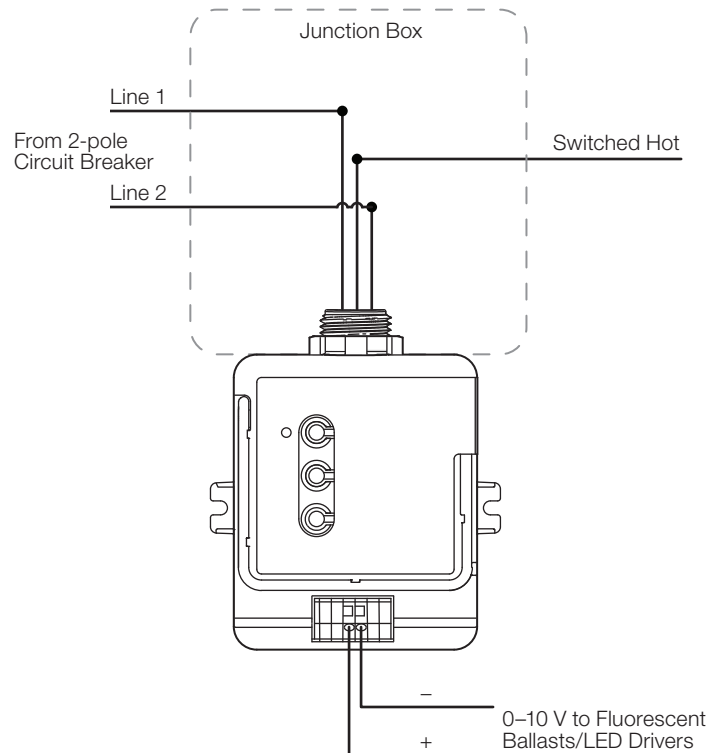


Wiring Schematic (RMP- models)

100 V~

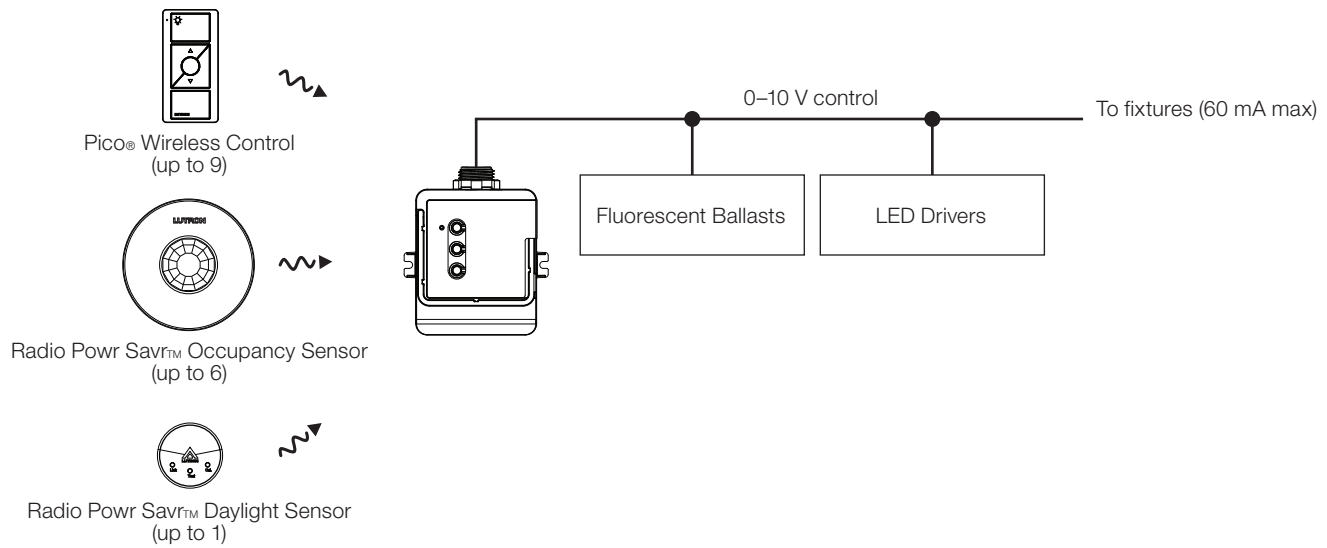


200 V~

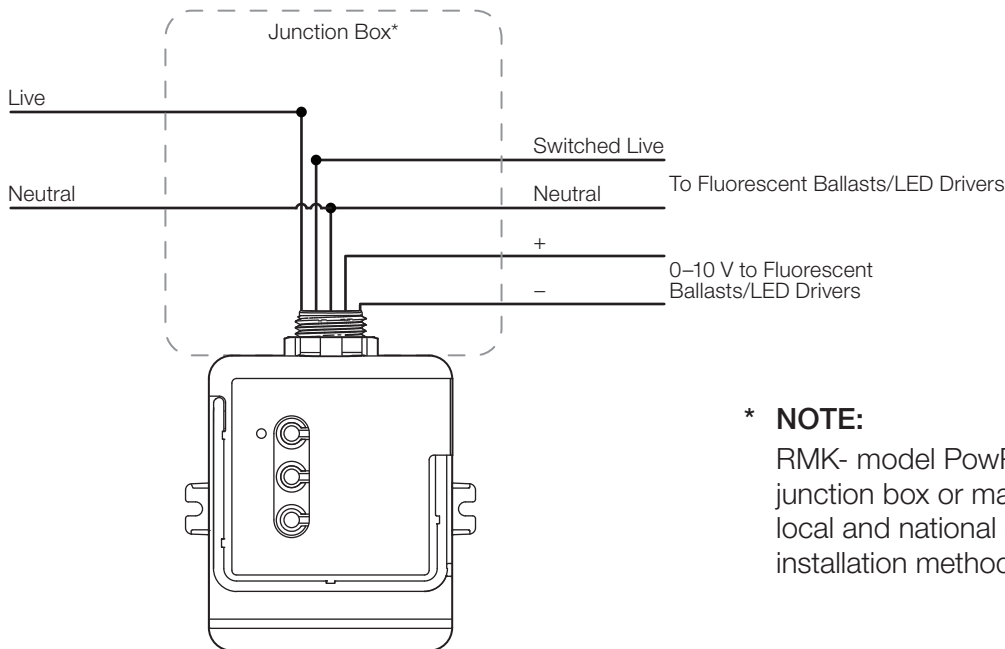


| | |
|-------------|----------------|
| Job Name: | Model Numbers: |
| Job Number: | |

System Diagram (RMK- and RMN- models)



Wiring Schematic (RMK- and RMN- models)

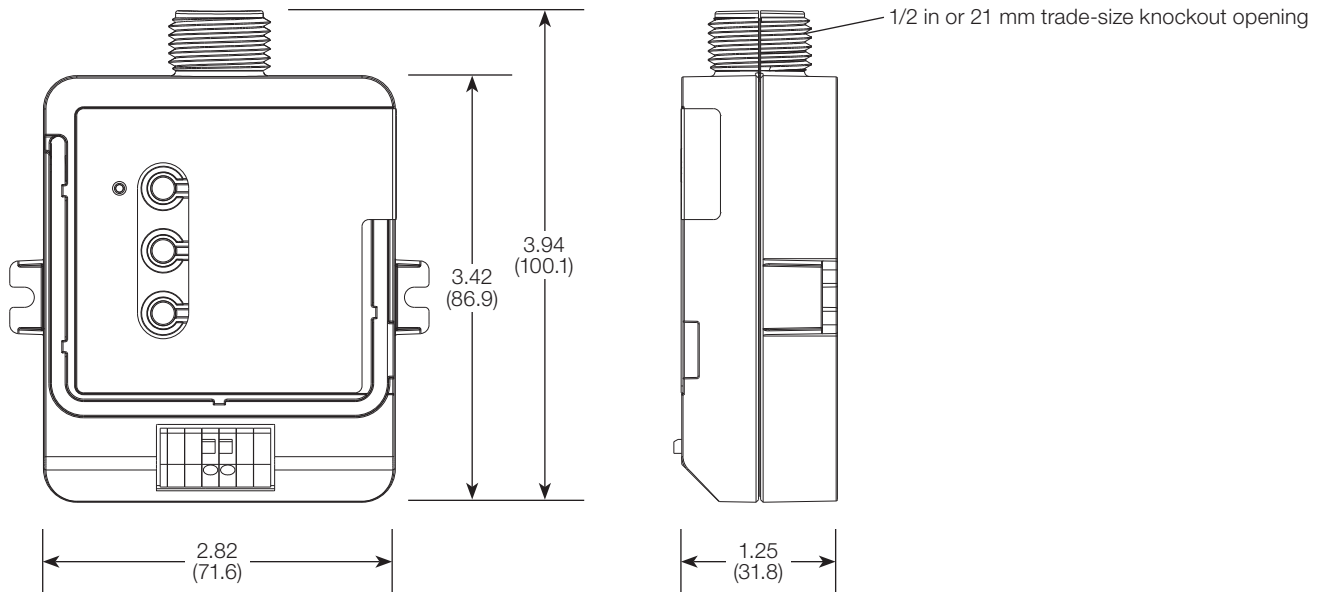


*** NOTE:**
 RMK- model PowPak® module can be installed in a junction box or marshalling box. Please consult all local and national electric codes for proper installation methods.

| | |
|-------------|----------------|
| Job Name: | Model Numbers: |
| Job Number: | |

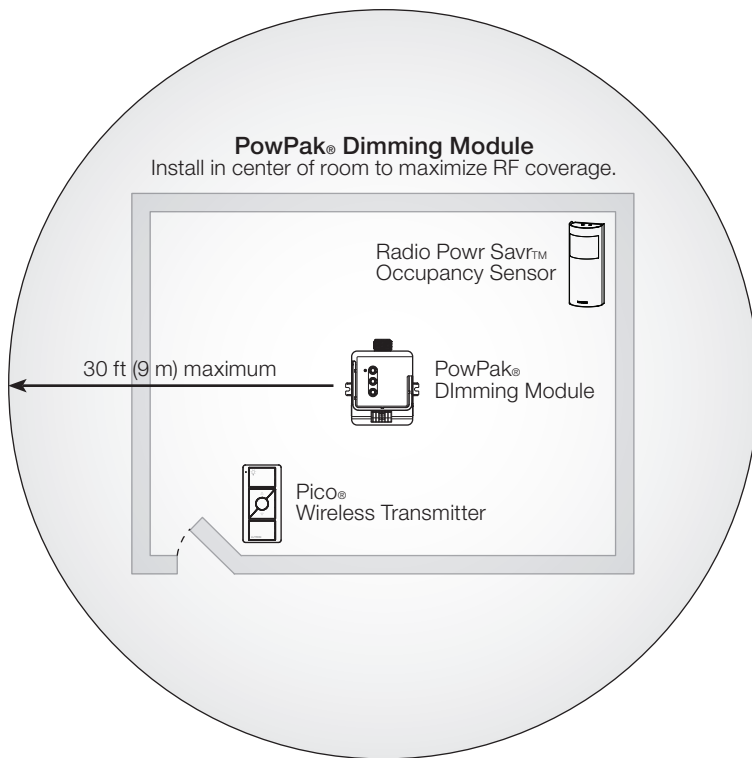
Dimensions

Dimensions are shown as: in (mm)



Range Diagram

All wireless transmitters must be installed within 30 ft (9 m) of the PowPak® Dimming Module.



Contact Lutron first for applications using foil-backed or metallic ceiling tiles.

| | |
|-------------|----------------|
| Job Name: | Model Numbers: |
| Job Number: | |